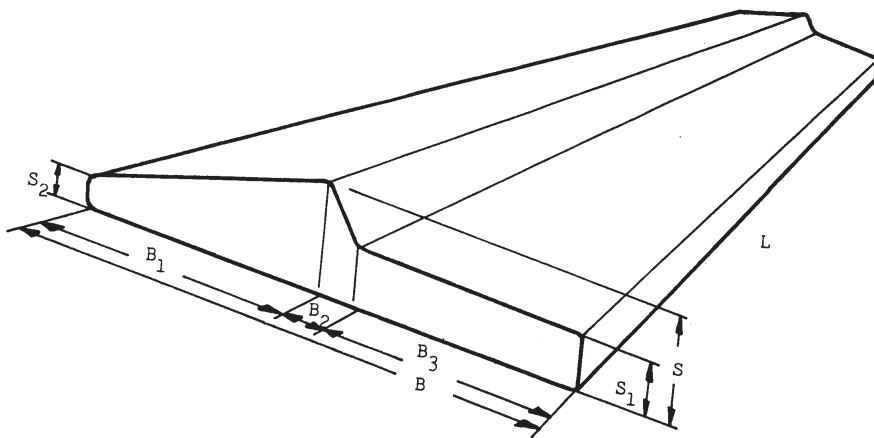


Spezialprofile / Special profiles



Spezialprofile

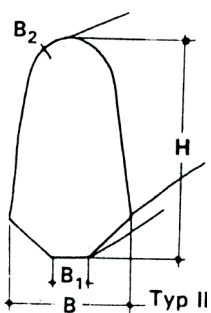
- Aus warmgewalztem, hochverschleißfestem Borstahl, gehärtet auf ca. 500 HB
- Gerichtet, gut schweißbar
- Zur Herstellung und Reparatur von Löffeln, Schaufeln und Greiferschalen

Special profiles

- Made of hot rolled Boron steel, hardened to approx. 500 HB
- Straightened; easily weldable
- For the production and repair of loader buckets, backhoe buckets and clam shells

| Abmessungen (mm) Dimensions (mm) | | | | | | | | Gewicht Weight KG | VeRotool-Bestell-Nr VeRotool-No. |
|-------------------------------------|-----|----|-----|----|----|----|--------|-------------------------|-------------------------------------|
| B | B1 | B2 | B3 | S | S1 | S2 | L max. | | 500 HB |
| 101 | 48 | 9 | 44 | 21 | 11 | 3 | 6.100 | 9,5 | 30.101 |
| 151 | 74 | 9 | 68 | 32 | 16 | 6 | 6.100 | 20,5 | 30.151 |
| 203 | 70 | 4 | 129 | 32 | 19 | 5 | 7.400 | 31,4 | 30.203 |
| 254 | 100 | 20 | 140 | 58 | 29 | 10 | 7.400 | 65,4 | 30.254 |

Stegprofile / Grouser bars



Stegprofile

- Gewalzt und gehärtet auf ca. 500 HB

Cutting edge profiles

- Rolled and hardened to approx. 500 HB

| Abmessungen (mm) Dimensions (mm) | | | | | Profil-Nr. Profile-No. | Gewicht Weight KG | VeRotool-Bestell-Nr VeRotool-No. |
|-------------------------------------|----|----|----|--------|---------------------------|-------------------------|-------------------------------------|
| B | B1 | B2 | H | L max. | | | 500 HB |
| 16 | 4 | 5 | 30 | 3.000 | 46/50113 | 2,8 | 32.46 |
| 22 | 5 | 7 | 40 | 3.000 | 78/50114 | 5,2 | 32.78 |
| 27 | 6 | 10 | 50 | 3.000 | 92/50115 | 8,4 | 32.92 |
| 30 | 10 | 10 | 65 | 3.000 | 96/50116 | 12,0 | 32.96 |
| 37 | 12 | 14 | 68 | 3.000 | 98/50117 | 15,7 | 32.98 |