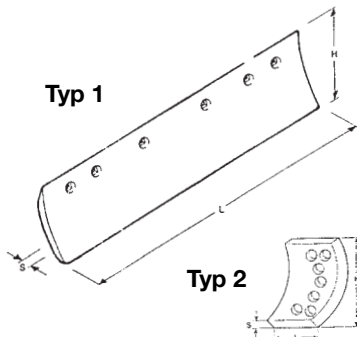


Gradermesser / Grader blades and end bits



Typ	Abmessungen (mm) Dimensions (mm)				Ref.-Nr. Ref.-No.	Gewicht Weight	VeRotool-Bestell-Nr. VeRotool-No.
	H	L	S	Ø Bolt (")			
						kg	25 - 30 HRc
1	152	1524	19	5/8	3G7966	30,0	33.6x5x3/4
1	152	1828	19	5/8	5D9556	36,0	33.6x6x3/4
1	152	2133	19	5/8	5D9557	42,0	33.6x7x3/4
1	203	1524	19	5/8	9W6252	43,0	33.8x5x3/4
1	203	1828	19	5/8	5D9558	51,0	33.8x6x3/4
1	203	2133	19	5/8	5D9559	62,0	33.8x7x3/4
1	203	2438	19	5/8	5D9732	66,0	33.8x8x3/4
2	152	473	19	5/8	7D2052/ 4168-585	7,5	33.6x3/4
2	150	505	19	5/8	4130-339	9,3	33.4130339

Typ	Abmessungen (mm) Dimensions (mm)				Ref.-Nr. Ref.-No.	Gewicht Weight	VeRotool-Bestell-Nr. VeRotool-No.
	H	L	S	Ø Bolt (")			
						kg	45 - 50 HRc
1	152	1524	19	5/8	3G7966	30,0	33.6x5x3/4-500HB
1	152	1828	19	5/8	5D9556	36,0	33.6x6x3/4-500HB
1	152	2133	19	5/8	5D9557	42,0	33.6x7x3/4-500HB

- Weitere Abmessungen auf Anfrage
- Further dimensions on request